





SINGLE-COIL FLOOR STANDING WATER HEATERS SUNSYSTEM SN

Floor standing. For indirect heating; Suitable for solar or space-heating systems.

FEATURES



Energy Efficiency



Aesthetic PVC jacket



Easy installation



Convenient inspection
opening



Optional kit for electric
heating

PRODUCT FEATURES:

- High efficiency insulation and outer casing of PVC with RAL 9006 color.
- Multi-position mounting of temperature sensor.
- Complex corrosion protection realized by means of titanium enamel and anode protection.
- All threads are internal.
- Easy installation.
- Convenient inspection opening.
- Available modifications with vertical and horizontal orientation.
- The heat exchanger coil enables the tank to utilize an external sources of renewable energy, such as a solar system or a biomass boiler.
- Optional kit for electric heating with nominal power 3kW, 4.5kW, 6kW or 7.5kW.

MODIFICATIONS AND SIZES, LITERS:

- Vertical models:
150, 200, 300, 400, 500, 750, 1000, 1500, 2000.
- Horizontal models:
200, 300, 500, 1000, 1500.

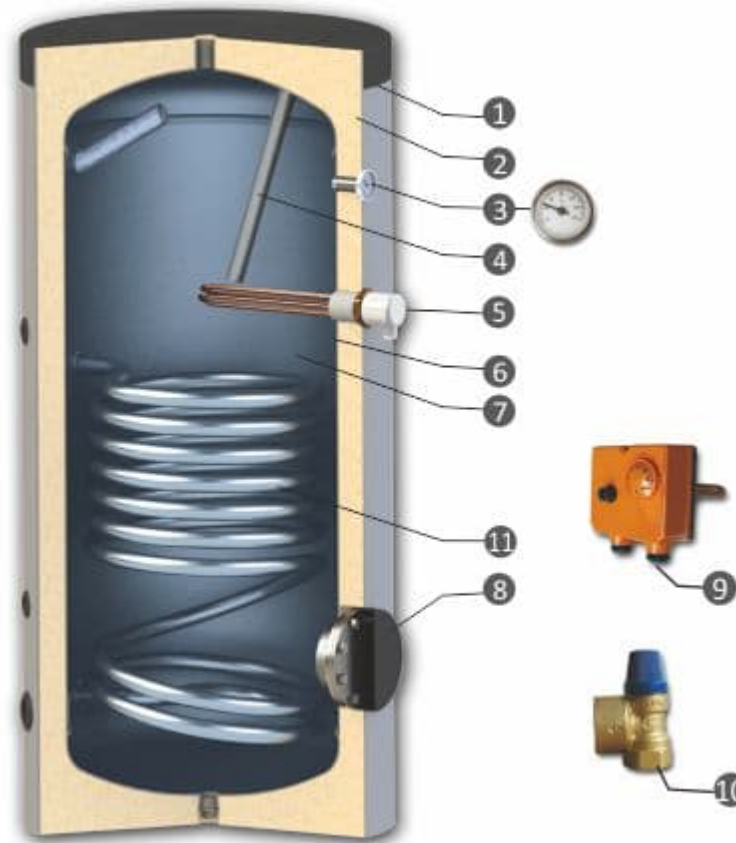
ENERGY EFFICIENCY

- Directive 2010/30 /EU, Regulation 812/2013:
- Class C – depending on the volume of the water heater



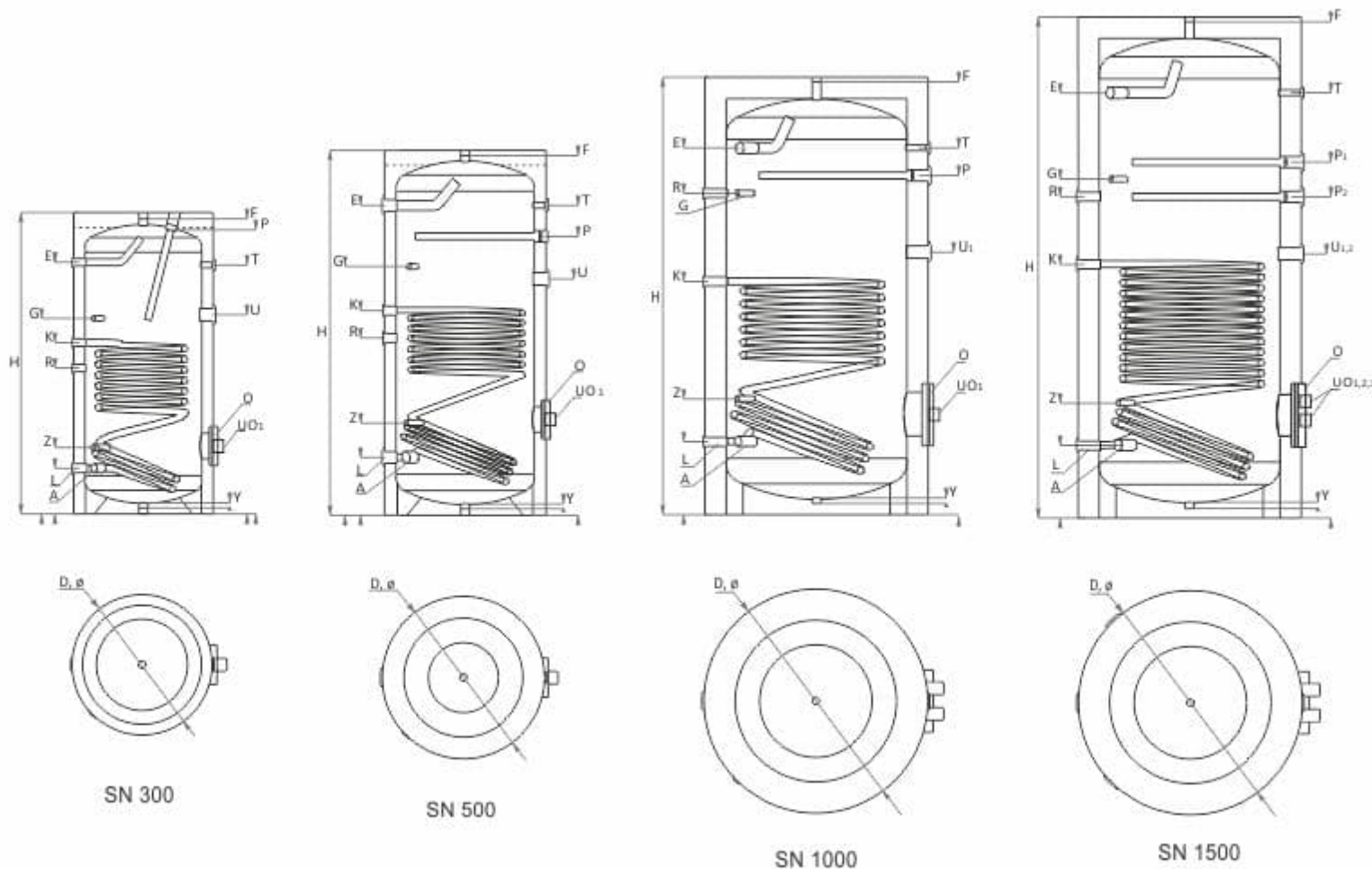
ELEMENTS:

- 1 – Aesthetic PVC jacket with color RAL 9006
- 2 – Highly efficient thermal insulation
- 3 – Thermometer
- 4 – Anode protector (DIN 4753-6)
- 5 – Electric heating element
- 6 – Water tank of low-carbon steel
- 7 – Titanium enamel (DIN 4753-3)
- 8 – Inspection opening with flange cover
- 9 – Thermostat with integrated thermal protection
- 10 – Safety valve, 8 bar
- 11 – Lower coil S1



TECHNICAL SPECIFICATIONS

Vertical models

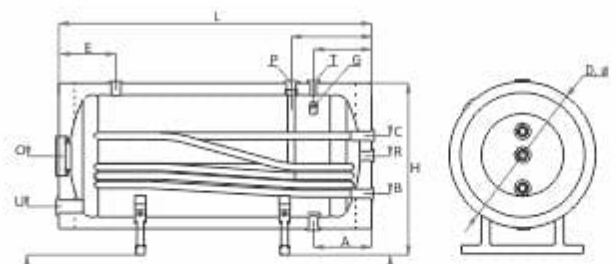


		SN 150	SN 200	SN 300	SN 400	SN 500	SN 750	SN 1000	SN 1500	SN 2000	
Capacity	L	150	200	300	400	500	750	1000	1500	2000	
Height / Min. vertical clearance	H, mm	1070/1210	1340/1460	1420/1580	1490/1670	1720/1890	2000/2030	2050/2080	2310/2370	2310/2370	
Diameter	D, mm	Ø 560	Ø 560	Ø 660	Ø 750	Ø 750	Ø 950	Ø 1050	Ø 1050	Ø 1350	
Insulation		50 mm rigid PPU					100 mm soft PPU, removable				

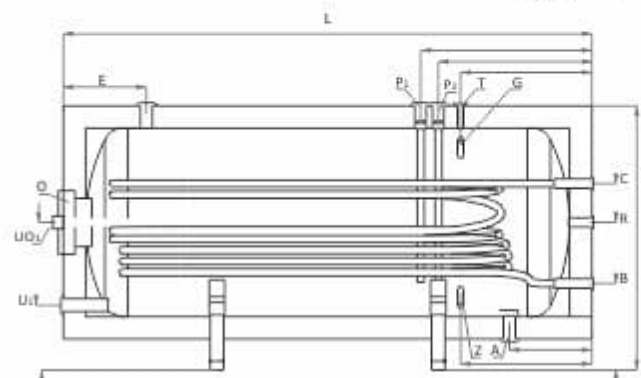
Oper. pressure / max. temperature	bar/OC	10/95	10/95	10/95	10/95	10/95	10/95	10/95	10/95	10/95	10/95
Test pressure of tank	bar	15	15	15	15	15	15	15	15	15	15
Electric heating element (optional)	kW	2 x (3÷6)	2 x (3÷6)	2 x (3÷6)	2 x (3÷7.5)	2 x (3÷7.5)	2 x (3÷7.5)	4 x (3÷7.5)	5 x (3÷7.5)	5 x (3÷7.5)	5 x (3÷7.5)
Weight	kg	59	73	104	145	167	242	286	392	712	712
Cold water inlet	A, mm	Rp1"/202	Rp1"/202	Rp1"/215	Rp1¼"/270	Rp1½"/270	Rp½"/300	Rp½"/320	2 x Rp½"/320	2 x Rp½"/385	2 x Rp½"/385
Hot water outlet	B, mm	Rp1"/868	Rp1"/1140	Rp1"/1170	Rp1¼"/1204	Rp1½"/1453	Rp1½"/1630	Rp1½"/1700	2 x Rp1½"/1975	2 x Rp1½"/1885	2 x Rp1½"/1885
Recirculation	R, mm	Rp¾"/450	Rp¾"/500	Rp¾"/663	Rp1"/673	Rp1"/831	Rp1"/1405	Rp1"/1487	Rp1"/1487	Rp1"/1487	Rp1"/1635
Oper. pressure / max. Coil temp.S1	bar/OC	16/110	16/110	16/110	16/110	16/110	16/110	16/110	16/110	16/110	16/110
Test pressure S1	bar	25	25	25	25	25	25	25	25	25	25
Coil capacity S1	L	4.56	5.55	7.40	9.25	11.10	12.95	16.65	18.50	25.28	25.28
Heat exchange surface S1	m2	0.74	0.9	1.2	1.5	1.8	2.1	2.7	3	4.1	4.1
Coil inlet	S1i, mm, Rp1"	592	692	805	850	960	970	1070	1170	1265	1265
Coil outlet	S1o, mm, Rp1"	202	202	215	270	270	300	320	320	320	385
Prolonged power acc. to DIN 4708; 80°C/60°C/45°C, S1	kW (m3/h)	25(0.61)	29(0.71)	53(1.30)	62(1.52)	72(1.77)	80(1.97)	105(2.58)	131(3.22)	180(4.42)	180(4.42)
NL – power	NL	2.5	4.5	11	13	18	32	42	64	80	80

coefficient at 60°C, S1	60°C										
Pressure drop Δp , S1	Δp , mbar	65	75	120	180	210	210	260	310	420	
Sensor sleeve for thermostat	G, mm, Rp $\frac{1}{2}$ "	738	892	995	950	1168	1435	1487	1487	1685	
Air vent sleeve	F, mm, Rp1"	1070	1340	1410	1480	1710	1950	2020	2320	2311	
Inspection opening/Flange	O, mm, \emptyset , mm	180/309 \emptyset 110	180/309 \emptyset 110	180/320 \emptyset 110	180/450 \emptyset 110	180/450 \emptyset 110	280/450 \emptyset 200	280/460 \emptyset 200	280/460 \emptyset 200	560/484 \emptyset 400	
Drain sleeve	Y, mm, Rp1"	20	20	20	20	20	20	40	40	30	
Thermometer	T, mm, Rp $\frac{1}{2}$ "	868	1138	1170	1204	1453	1630	1700	1975	1835	
Anode	P, mm, Rp $\frac{1}{4}$ "	1070	1340	1410	1079	1340	1435	1570	2 x 1570/1650	2 x 1625/1705	
Sleeve for Electric element on water tank body	U, mm,	Rp $\frac{1}{2}$ " /680	Rp $\frac{1}{2}$ " /850	Rp $\frac{1}{2}$ " /950	Rp $\frac{1}{2}$ " /900	Rp $\frac{1}{2}$ " /1130	Rp $\frac{1}{2}$ " /1040	2 x Rp $\frac{1}{2}$ " /1145	Rp $\frac{1}{2}$ " /1220 2"	2 x Rp $\frac{1}{2}$ " /1330 /2"	
Sleeve for Electric element on inspection opening flange	Uo, mm,	Rp $\frac{1}{2}$ " /309	Rp $\frac{1}{2}$ " /309	Rp $\frac{1}{2}$ " /320	Rp $\frac{1}{2}$ " /450	Rp $\frac{1}{2}$ " /450	Rp $\frac{1}{2}$ " /450	2 x Rp $\frac{1}{2}$ " /460	3 x Rp $\frac{1}{2}$ " /460	3 x Rp $\frac{1}{2}$ " /555	

Horizontal models:



H SN 300



H SN 1500

		HSN 200	HSN 300	HSN 500	HSN 1000	HSN 1500
Capacity	(L)	200	300	500	1000	1500
Height / Length	H, L, mm	695/1340	790/1410	890/1710	1190/2080	1190/2380
Diameter	D, mm	Ø 560	Ø 660	Ø 750	Ø 1050	Ø 1050
Insulation		50 mm rigid PPU			100 mm soft PPU, removable	
Oper. pressure / max. temperature	bar/°C	10/95	10/95	10/95	10/95	10/95
Test pressure of tank	bar	15	15	15	15	15
Electric heating element (optional)	kW	2 x (3÷7.5)	2 x (3÷7.5)	2 x (3÷7.5)	2 x (3÷7.5)	3 x (3÷7.5)

Weight	kg	73	104	167	286	392
Cold water inlet	A, mm	Rp1"/220	Rp1"/260	Rp1½"/270	Rp1½"/360	Rp1½"/360
Hot water outlet	B, mm	Rp1"/220	Rp1"/260	Rp1½"/270	Rp1½"/340	Rp1½"/340
Recirculation	R, mm	Rp1"/420	Rp1"/465	Rp1"/515	Rp1"/665	Rp1"/665
Oper. pressure / max. Coil temp.S1	bar/0C	16/110	16/110	16/110	16/110	16/110
Test pressure S1	bar	25	25	25	25	25
Coil capacity S1	L	5.55	7.40	11.10	16.65	18.50
Heat exchange surface S1	m2	0.9	1.2	1.8	2.7	3
Coil inlet	S1i, mm, Rp1"	692	805	960	1080	1180
Coil outlet	S1o, mm, Rp1"	202	215	270	320	320
Prolonged power acc. to DIN 4708; 80°C/60°C/45°C, S1	kW (m3/h)	29(0.71)	53(1.30)	72(1.77)	105(2.58)	131(3.22)
NL – power coefficient at 60°C, S1	NL 60°C	4.5	11	18	42	64
Pressure drop Δp, S1	Δp, mbar	260	260	310	260	310
Sensor sleeve for thermostat	G, mm, Rp½"	220	260	270	360	360
Inspection opening/Flange	O, mm, Ø, mm	180/420 Ø 110	180/465 Ø 110	180/515 Ø 110	280/665 Ø 200	280/665 Ø 200
Thermometer	T, mm, Rp½"	220	260	270	360	580
Anode	P, mm, Rp1¼"	320	360	370	460	2 x 690/770
Sleeve for Electric element on water tank body	U, mm, Rp1½"	Rp1½" /240	Rp1½" /238	Rp1½" /245	Rp1½" /280	2 x Rp1½" /280
Sleeve for Electric element on inspection opening flange	Uo, mm,Rp1½"	Rp1½" /420	Rp1½" /465	Rp1½" /515	Rp1½" /665	Rp1½" /665
Additional sensor sleeve	Z, mm, Rp1½"	–	–	–	360	580

PRODUCTS

HEATING APPLIANCES

WATER HEATERS BUFFER TANKS

SOLAR COLLECTORS

INDUSTRIAL SOLUTIONS



Follow us on Facebook



BURNiT International
23 225 meeldimist

Märgi leht meeldivaks



- Attractive prices
- Energy class A+
- Ecological combustion
- Made in EU

Ole oma sõprade hulgas esimene, kellele see meeldib

GENERAL TERMS



© All rights reserved NES Ltd | www.burnit.bg | Designed by Alpha Hosting