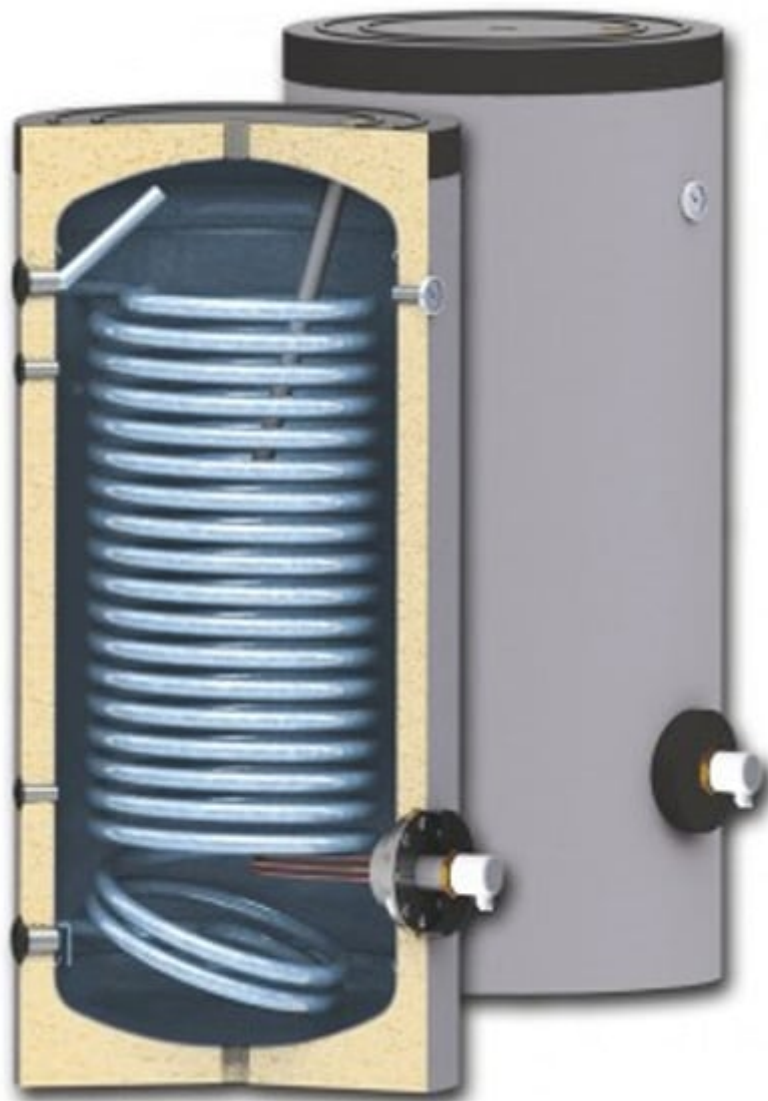


☎ 0700 17 343 ✉ sales@burnit.bg





WATER HEATERS FOR HEAT PUMP SYSTEMS SUNSYSTEM SWP N – WITH ONE COIL

With extra-sized heat exchanger surface; suitable for solar water heating, space-heating, and heat pump systems with large number of consumers.

FEATURES



Energy Efficiency



Aesthetic PVC jacket



Easy installation



Convenient inspection
opening



Optional kit for electric
heating

PRODUCT FEATURES:

- High efficiency insulation and outer casing of PVC with RAL 9006 color.
- Multi-position mounting of temperature sensor.
- Complex corrosion protection realized by means of titanium enamel and anode protection.
- All threads are internal.
- Easy installation.
- Convenient inspection opening.
- High efficiency heat exchanger coil
- Optional kit for electric heating with nominal power 3kW, 4.5kW, 6kW or 7.5kW.

MODIFICATIONS AND SIZES, LITERS:

- 150, 200, 300, 400, 500

ENERGY EFFICIENCY

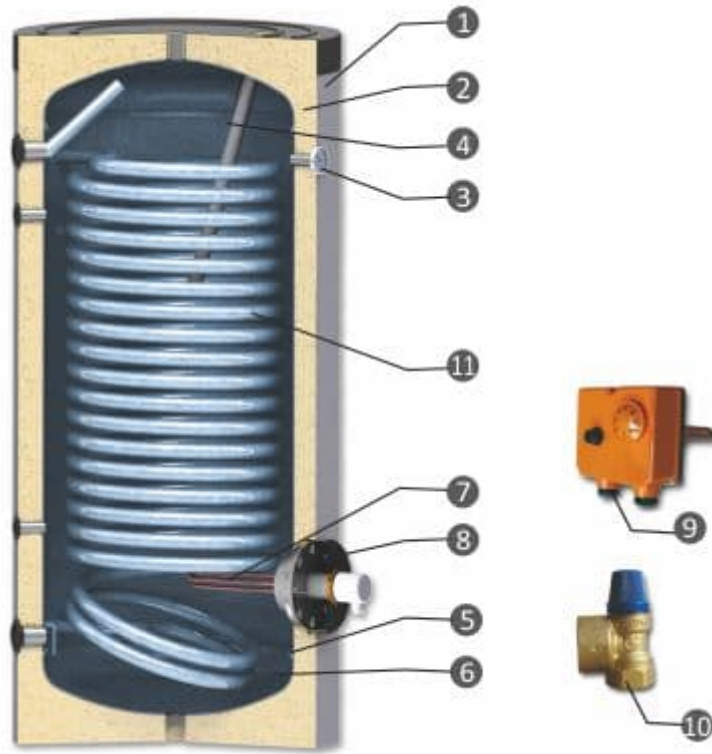
- Directive 2010/30 /EU, Regulation 812/2013:

- Class C – depending on the volume of the water heater

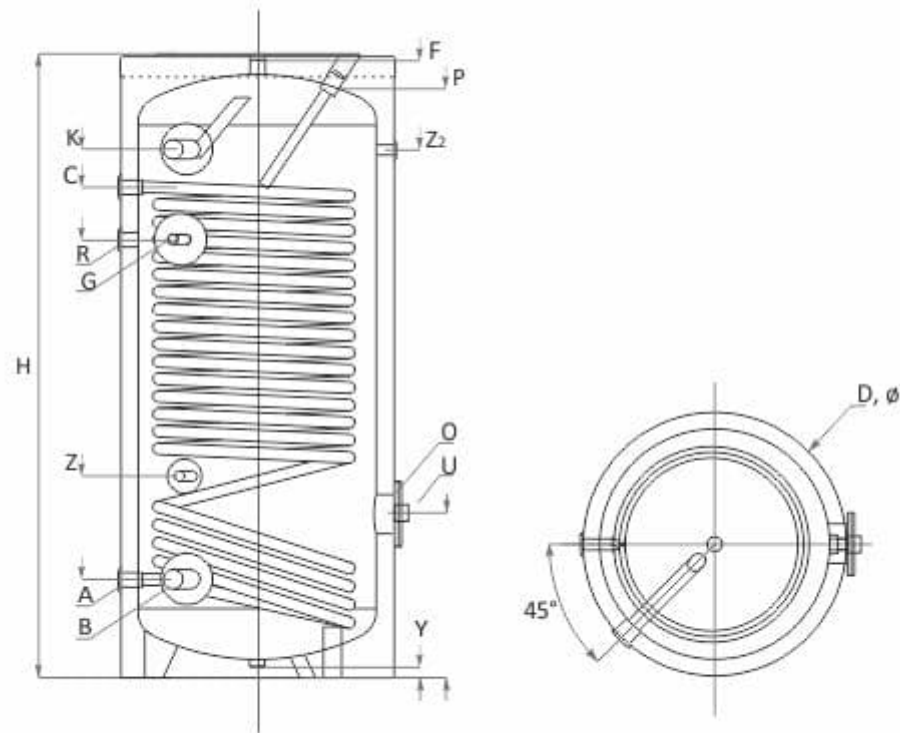


ELEMENTS:

- 1 – Aesthetic PVC jacket with color RAL 9006
- 2 – Highly efficient thermal insulation
- 3 – Anode protector (DIN 4753-6)
- 4 – Thermometer
- 5 – Water tank of low-carbon steel
- 6 – Titanium enamel (DIN 4753-3)
- 7 – Electric heating element
- 8 – Inspection opening with flange cover
- 9 – Thermostat with integrated thermal protection
- 10 – Safety valve, 8 bar
- 11 – High efficiency heat exchanger coil



TECHNICAL SPECIFICATIONS



SWP N			SWP N 150	SWP N 200	SWP N 300	SWP N 400	SWP N 500
capacity	L	150	200	300	400	500	
	Height H / Installation height	mm	1070/1210	1340/1460	1420/1580	1470/1670	1720/1890
	diameter D	mm	ø 560	ø 560	ø 660	ø 750	ø 750
	Rab.nalyagane / max. temperature	bar/°C	10/95	10/95	10/95	10/95	10/95
	Test pressure tank	bar	15	15	15	15	15
Down coil S1	surface	m ²	1.4	1.9	2.3	2.8	3.3

Capacity coil	L	8.6	11.7	14.8	17.2	20
Continuous power DIN 4708; 80/60/45 ° C	kW m3 /h	40.4 0.99	51 1.25	62 1.52	75 1.84	84 2.06
NL – a power coefficient. at 60 ° C		6	8	20	27	34
Pressure loss Δp	mbar	120	150	400	600	710
Working pressure / max. temperature of the coils	bar/°C	16/110	16/110	16/110	16/110	16/110
Pressure test coil	bar	25	25	25	25	25
thermometer		опция	опция	опция	опция	опция
anode		да	да	да	да	да
El. Heater (optional)	kW	3/4.5/6	3/4.5/6	3/4.5/6	3/4.5/6/7.5	3/4.5/6/7.5
weight	kg	70	90	121	165	190
Lower output coil S1	A, mm	G1"/182	G1"/182	G1"/215	G1"/270	G1"/270
Login cold water	B, mm	G1"/182	G1"/182	G1"/215	G1¼"/270	G1½"/270
Login lower coil S1	C, mm	G1"/872	G1"/1122	G1"/1155	G1"/1210	G1"/1350
Exit upper coil S2	E, mm					
thermoregulator	G, mm	G½"/697	G½"/967	G½"/1054	G½"/1054	G½"/1206
recirculation	R, mm	G¾"/652	G¾"/922	G¾"/1007	G1"/1105	G1"/1206
Login upper coil S2	I, mm					
Exit hot water	K, mm	G1"/895	G1"/1160	G1"/1182	G1¼"/1240	G1½"/1453
venting	F, mm	G1"/1070	G1"/1340	G1"/1410	G1"/1460	G1"/1710
Manhole / flange	O, ø mm	110/180 309	110/180 309	110/180 320	110/180 450	110/180 450

draining	Y, mm	G1"/30	G1"/30	G1"/30	G1"/30	G1"/30
anode	P, mm	G1¼"/1070	G1¼"/1340	G1¼"/1410	G1¼"/1318	G1¼"/1568
Electric heater (optional)	U, mm	G1½"/309	G1½"/309	G1½"/320	G1½"/450	G1½"/450
Slot for additional sensor	Z, mm	G½"/410 G½"/868	G½"/410 G½"/11380	G½"/430 G½"/1170	G½"/560 G½"/1152	G½"/560 G½"/1453

PRODUCTS

HEATING APPLIANCES

WATER HEATERS BUFFER TANKS

SOLAR COLLECTORS

INDUSTRIAL SOLUTIONS



Follow us on Facebook

BURNiT International
23 219 meeldimist

Märgi leht meeldivaks

- Attractive prices
- Energy class A+
- Ecological combustion
- Made in EU

Ole oma sõprade hulgast esimene, kellele see meeldib

GENERAL TERMS



© All rights reserved NES Ltd | www.burnit.bg | Designed by Alpha Hosting